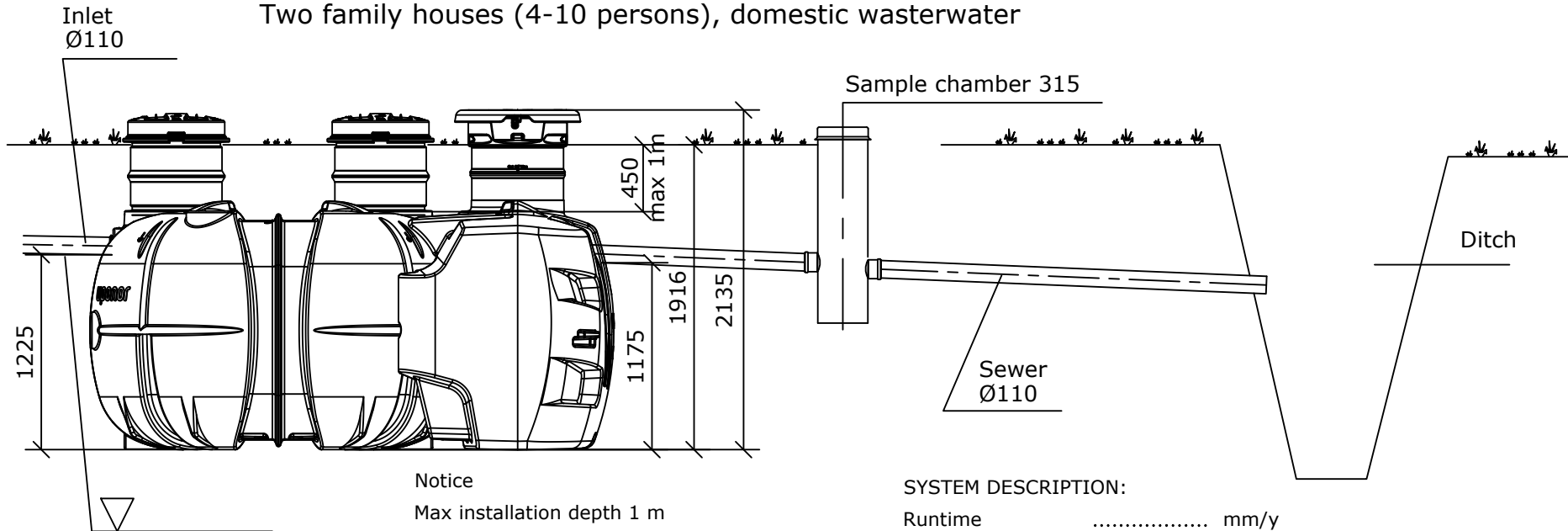


Clean II (Uponor code 1133828) + Uponor Sample Chamber 315 (uponor code 1003559).
Two family houses (4-10 persons), domestic wastewater



SYSTEM DESCRIPTION:

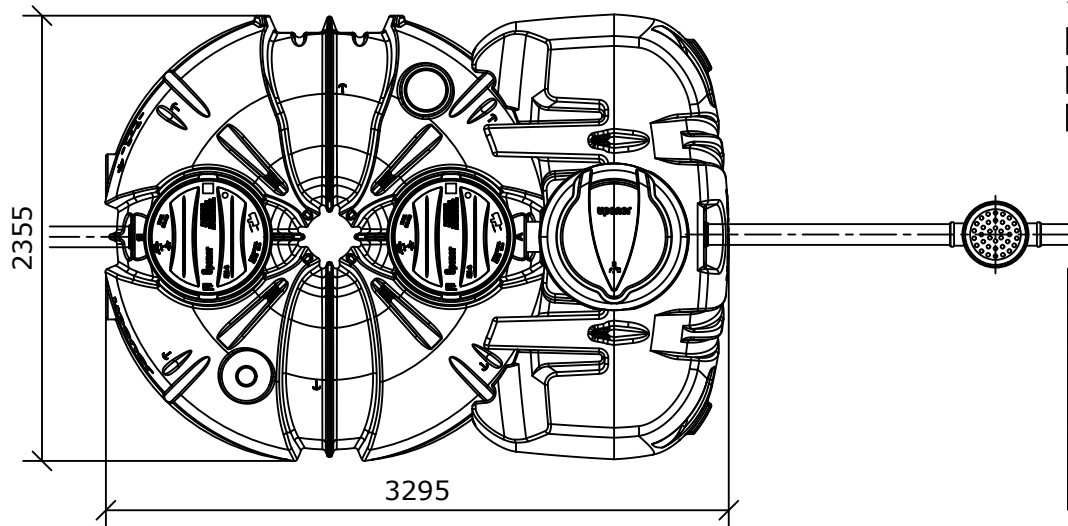
Runtime mm/y
 Number of persons PE
 Dim. water volym ml/d (max 2100 l/d)

Accessories:

- Frost insulation
- Anchoring
- Extension pipes Ø 560 with sealing ring

Outlet:

- Ditch
- Soiltreatment.....m²
- Infiltration chamber



We reserve the right to changes.

uponor

City/Village	Block/Yard	Lot/Rno.	Notes from administrative authority	
Construction act			Drawing type	Number
Construction site: name and address			Qualifies	Scale
Designer: name, date and signature			Planning, work no. and drawing no.	Modification